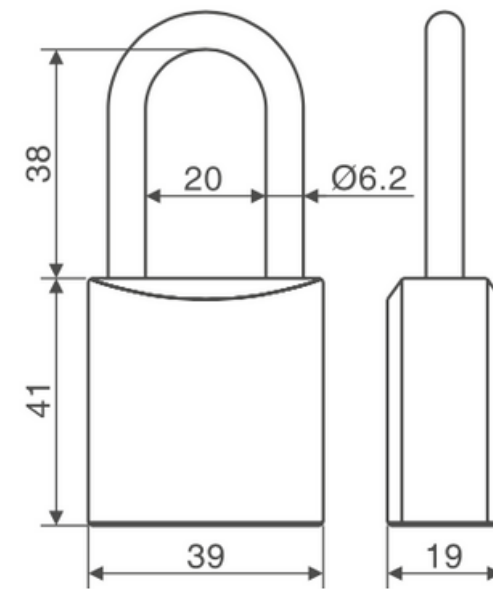




LOTO
EXPERTS

ALUMINIUM SAFETY PADLOCK



Product Features

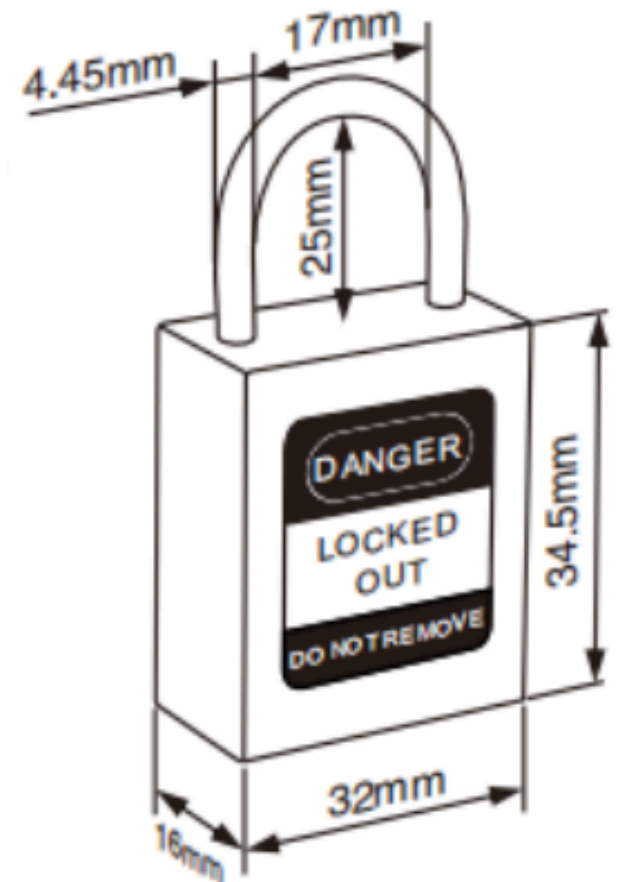
- The lock body is made of integrated national standard aluminum die casting, with anodized surface, bright color, and corrosion resistant metal lock shackle.
- Engrave LOGO on both sides, can customize customers' logo.
- UV resistant and corrosion resistant.
- Auto pop safety padlock: The lock shackle pops up automatically when unlocking, and the lock cylinder locks automatically when locking.
- Key retaining to ensure the padlocks are not left unlocked when the shackle is open.
- Both sides and front of the lock body can be laser engraved to retain permanent identification or coding.
- Various colors for choosing.





LOTO
EXPERTS

MINI SAFETY PADLOCK



- Reinforced nylon body, withstand temperature from -20°C to $+120^{\circ}\text{C}$. The non-conductive shackle is made from nylon, withstand temperature from -20°C to $+120^{\circ}\text{C}$, ensuring the strength and deformation fracture not easily.
- Key Retaining Feature: When the shackle is open, the key can't be removed.
- Laser printing and logo engraving available if required.

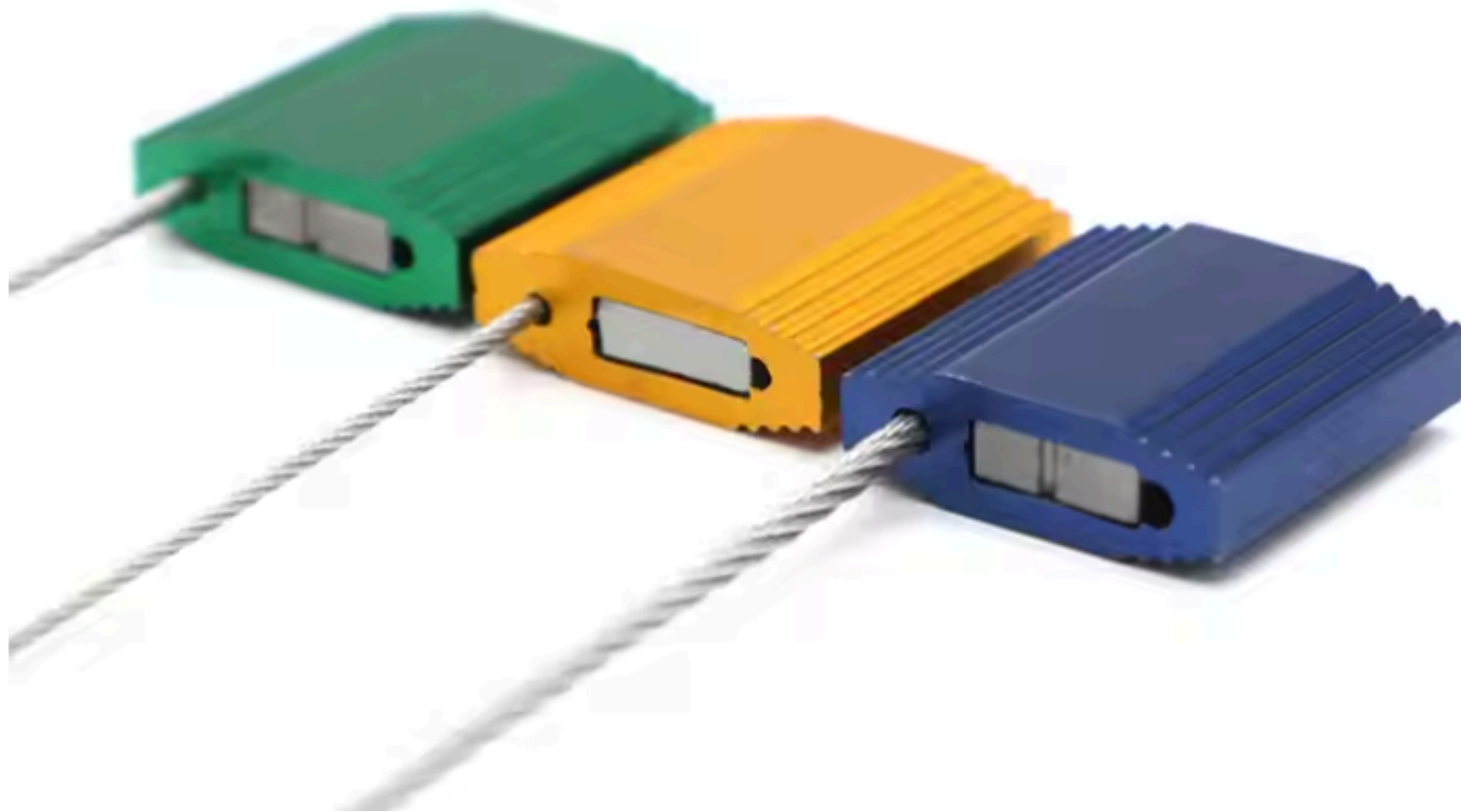


CAUTION



LOTO
EXPERTS

STEEL ■ **SAFETY CABLE SEAL**





LOTO
EXPERTS

ALUMINIUM SAFETY PADLOCK

Product Selection

Part Code	Shackle			Color (The second digit)	Lock Cylinder
	Material	Inner Height (mm)	Dia. (mm)		
BD-A31	Steel/ Stainless steel	38	6.2	Red	Brass lock cylinder/ Auto pop/ with key retaining feature
BD-A32				Golden	
BD-A33				Blue	
BD-A34				Green	
BD-A35				Black	
BD-A36				White	
BD-A37				Orange	
BD-A38				Purple	

Note: The default is steel shackle, pls remark stainless steel shackle if need.

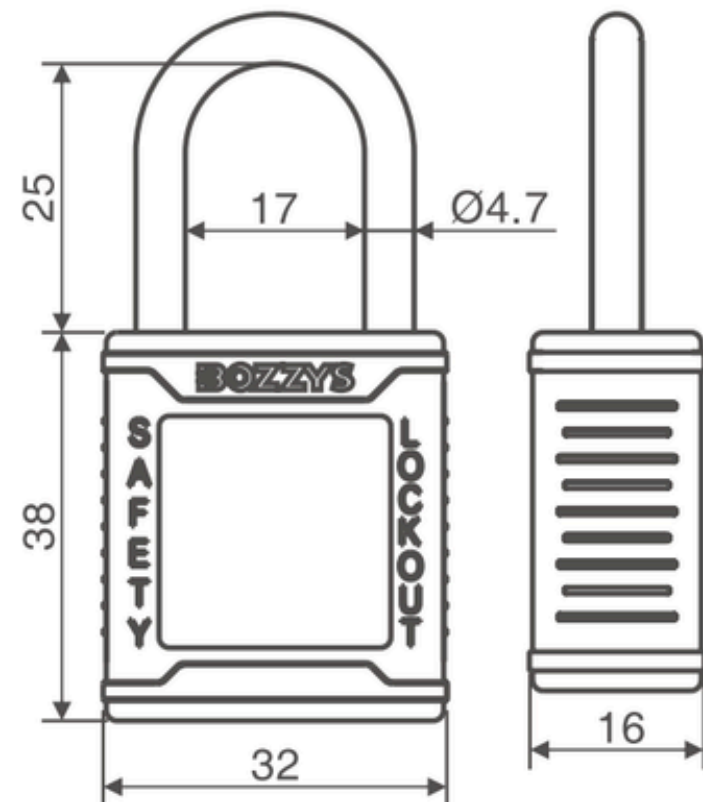
BD-A31	BD-A32	BD-A33	BD-A34	BD-A35	BD-A36	BD-A37	BD-A38
							





LOTO
EXPERTS

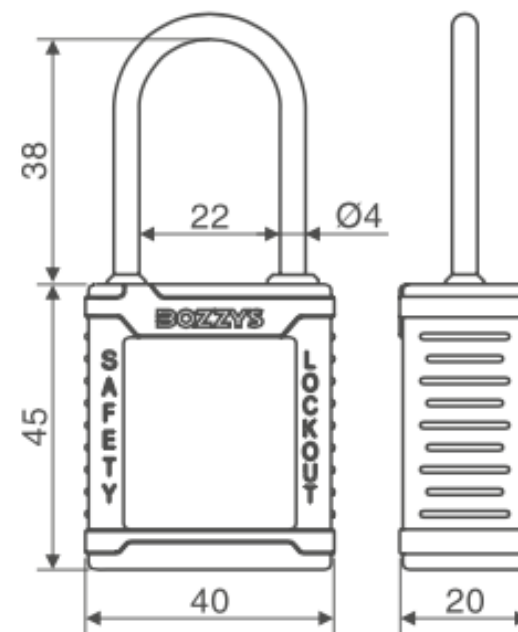
LOCK SHACKLE SAFETY PADLOCK SMALL TYPE





LOTO
EXPERTS

NYLON SHACLE SAFETY PADLOCK



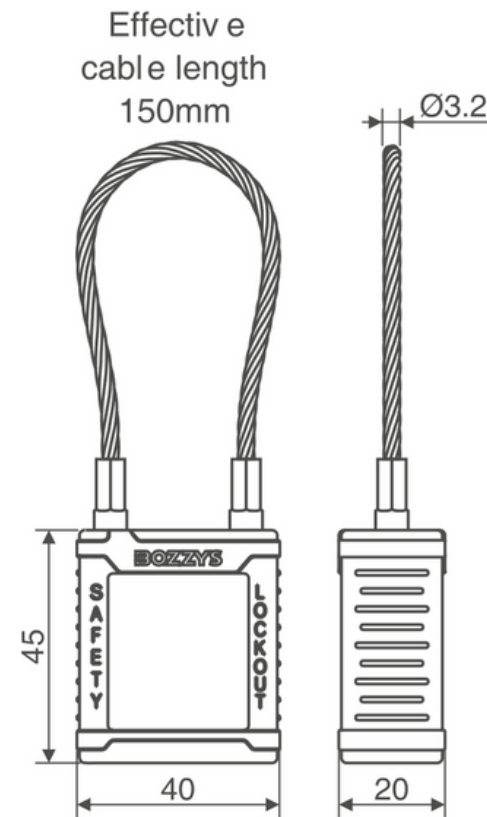
BD-G701/G711





LOTO
EXPERTS

CABLE SHACKLE SAFETY PADLOCK





LOTO
EXPERTS

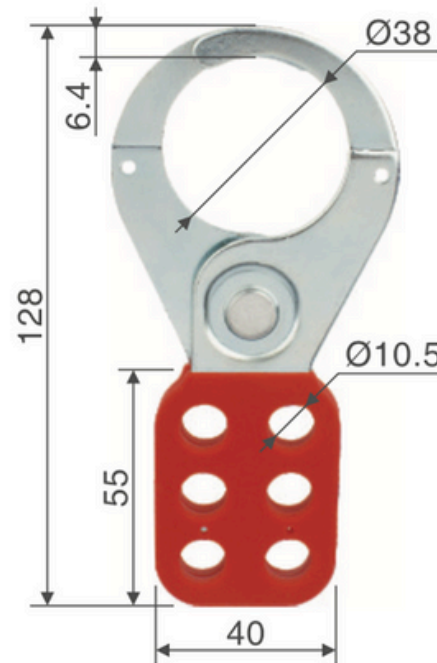
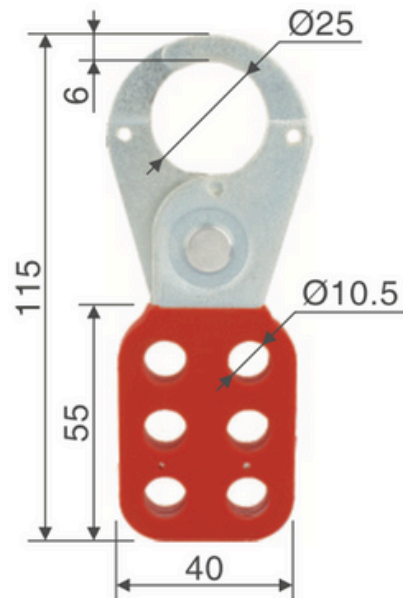
PA COATED STEEL SAFETY HASP

DIAMETER 25MM / 1"

Unit: mm



LE-K01



LE-K02

Product Features

- Made of Engineering plastic nylon PA injection molding, galvanized rustproof surface.

Product Selection

Model	Lock hole Dia.	Lock shackle Dia.	Description
 LE-K01	10.5mm(2/5")	25mm(1")	Can be accommodated with 6 padlocks(maximum)
LE-K02	10.5mm(2/5")	38mm (1.5")	





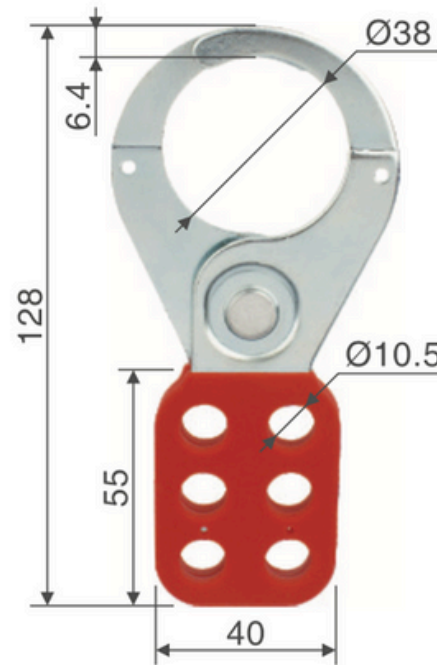
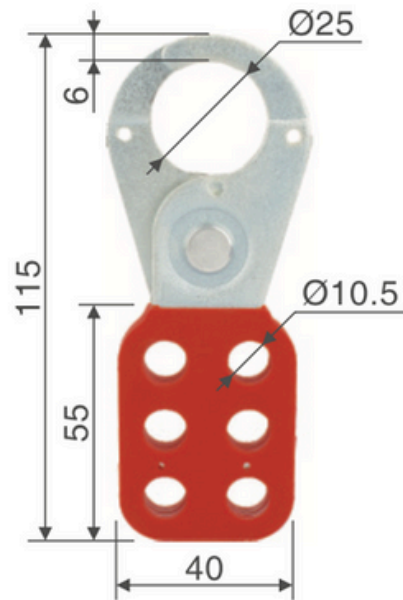
LOTO
EXPERTS

PA COATED STEEL SAFETY HASP

DIAMETER 38MM /1.5"

Unit: mm

LE-K01



LE-K02



Product Features

- Made of Engineering plastic nylon PA injection molding, galvanized rustproof surface.

Product Selection

Model	Lock hole Dia.	Lock shackle Dia.	Description
LE-K01	10.5mm(2/5")	25mm(1")	Can be accommodated with 6 padlocks(maximum)
 LE-K02	10.5mm(2/5")	38mm (1.5")	





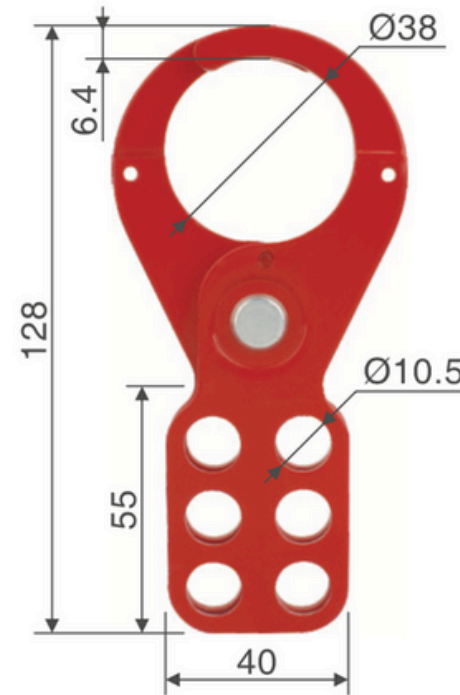
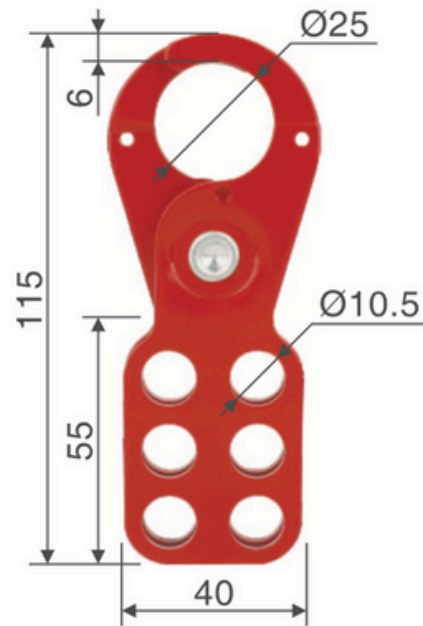
LOTO
EXPERTS

ECONOMIC STEEL HASP

DIAMETER 25MM /1"

Unit: mm


LE-K03



LE-K04

Product Features

- Made of high temperature plastic sprayed steel.

Product Selection

Model	Lock hole Dia.	Lock shackle Dia.	Description
 LE-K03	10.5mm(2/5")	25mm(1")	Can be accommodated with 6 padlocks(maximum)
LE-K04	10.5mm(2/5")	38mm (1.5")	



CAUTION



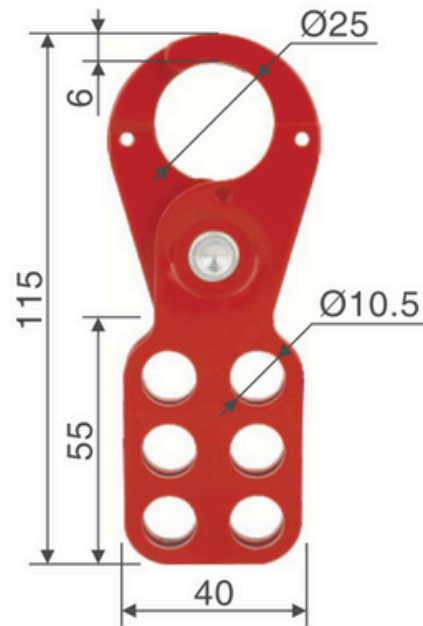
LOTO
EXPERTS

ECONOMIC STEEL HASP

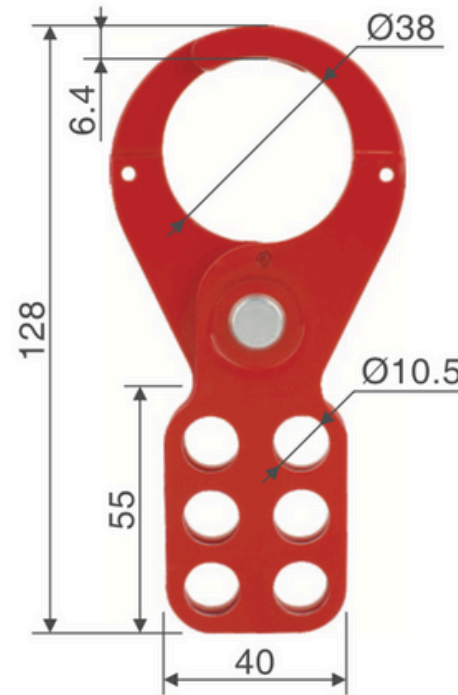
DIAMETER 25MM /1"

Unit: mm

LE-K03



LE-K04



Product Features

- Made of high temperature plastic sprayed steel.

Product Selection

Model	Lock hole Dia.	Lock shackle Dia.	Description
LE-K03	10.5mm(2/5")	25mm(1")	Can be accommodated with 6 padlocks(maximum)
LE-K04	10.5mm(2/5")	38mm (1.5")	





LOTO
EXPERTS

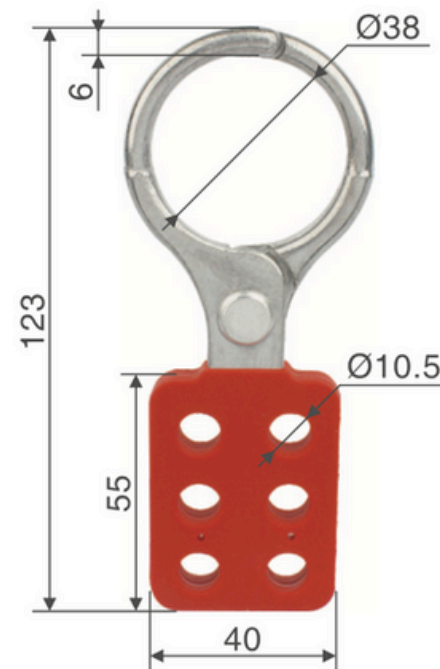
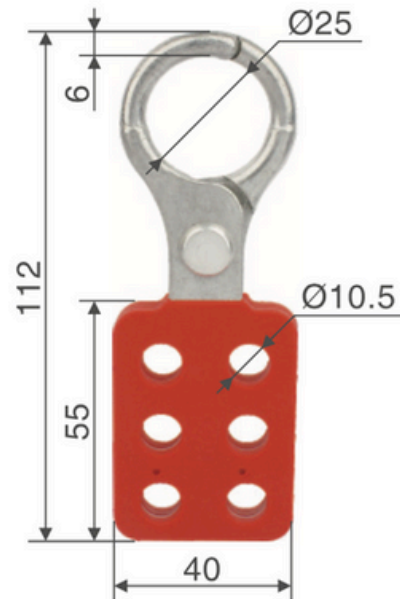
FIREPROOF ALUMINIUM HASP

DIAMETER 25MM /1"

Unit: mm



LE-K11



LE-K12

Product Features

- Made of chrome plated aluminum and nylon PA injection molding or PVC dipping handle.

Product Selection

Model	Lock hole Dia.	Lock shackle Dia.	Description
 LE-K11	10.5mm(2/5")	25mm(1")	Can be accommodated with 6 padlocks(maximum)
LE-K12	10.5mm(2/5")	38mm (1.5")	



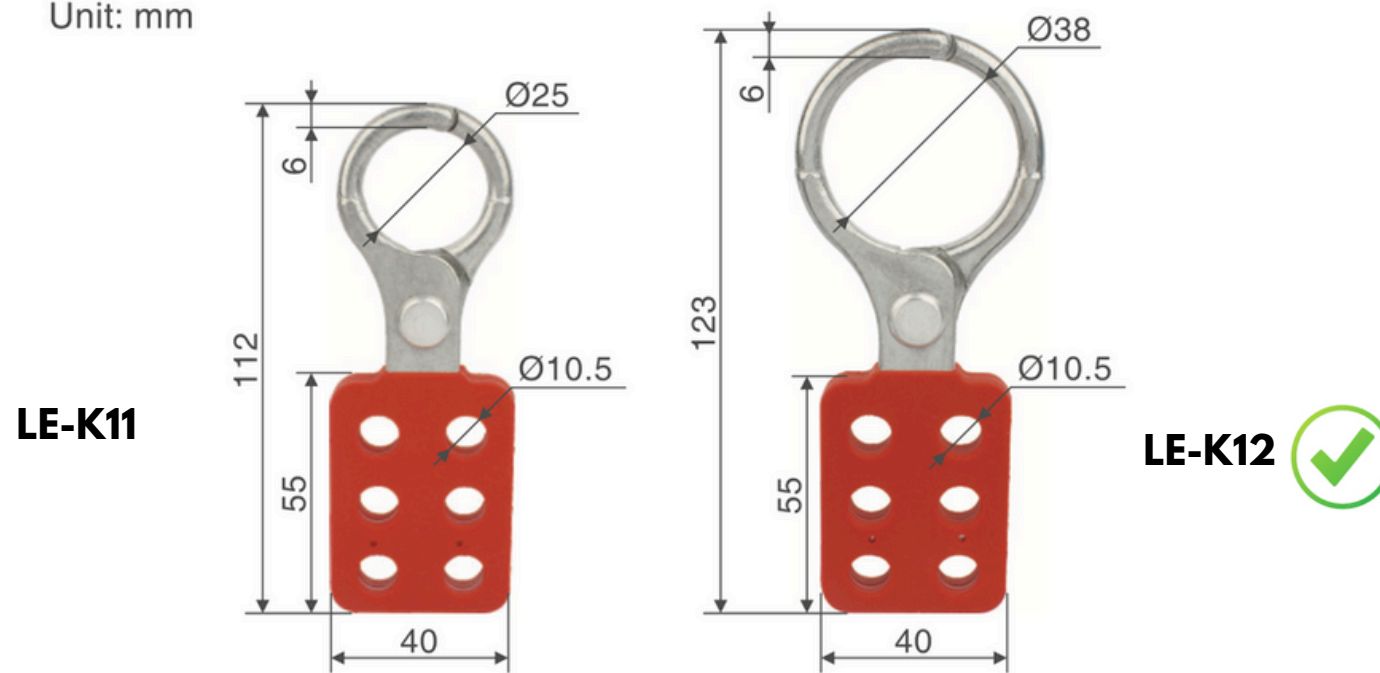


LOTO
EXPERTS

FIREPROOF ALUMINIUM HASP

DIAMETER 38MM /1.5"

Unit: mm



Product Features

- Made of chrome plated aluminum and nylon PA injection molding or PVC dipping handle.

Product Selection

Model	Lock hole Dia.	Lock shackle Dia.	Description
LE-K11	10.5mm(2/5")	25mm(1")	Can be accommodated with 6 padlocks(maximum)
✓ LE-K12	10.5mm(2/5")	38mm (1.5")	





LOTO
EXPERTS

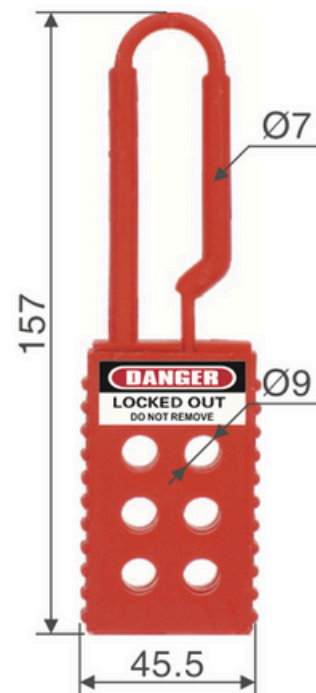
NYLON SAFETY HASP

DIAMETER 6MM

Unit: mm



LE-K41



LE-K42

Product Features

- Made from modified PP.
- Apply to places where need electric power isolation and lock and has high requires about corrosive and explosion-proof.
- Opening: push up and down.

Product Selection

Model	Shackle Dia.	Description
 LE-K41	7mm	Can be accommodated with 6 padlocks(maximum)
LE-K42	6mm	



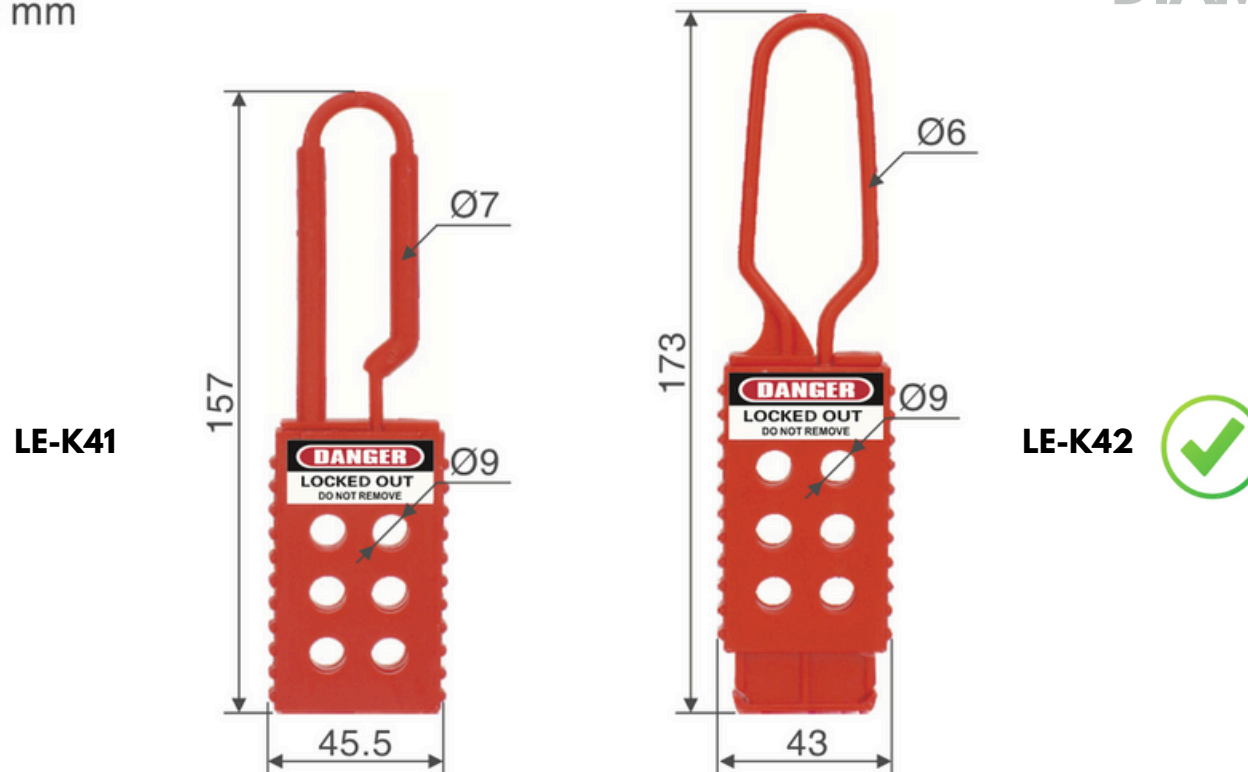


LOTO
EXPERTS

NYLON SAFETY HASP

DIAMETER 6MM

Unit: mm



Product Features

- Made from modified PP.
- Apply to places where need electric power isolation and lock and has high requires about corrosive and explosion-proof.
- Opening: push up and down.

Product Selection

Model	Shackle Dia.	Description
LE-K41	7mm	Can be accommodated with 6 padlocks(maximum)
LE-K42	6mm	






LOTO
EXPERTS

**LE-K61
METAL**



Metal cable
Product Features



Insulated cable 

SIMPLE CABLE LOCKUP

DIAMETER 4 MM
LENGTH 2.4M
INSULATED CABLE



**LE-K61
INSULATED**

- The lockout body is made of engineering plastic nylon PA
- The outer layer of the cable is made of UV-resistant PVC, and the inner material is divided into two materials: insulation and metal (stainless steel);
- Customizable labels. (Chinese, English or multi-language customization)

Product Selection

Model	Cable Size	Application
LE-K61 METAL	dia 4mm x length 1.8m, Metal cable	
 LE-K61 INSULATED	dia 4mm x length 2.4m, Insulated cable	





LOTO
EXPERTS

SIMPLE CABLE LOCKUP

DIAMETER 4 MM
LENGTH 1.8M
METAL CABLE

**LE-K61
METAL**



Metal cable



**LE-K61
INSULATED**

Insulated cable

Product Features

- The lockout body is made of engineering plastic nylon PA
- The outer layer of the cable is made of UV-resistant PVC, and the inner material is divided into two materials: insulation and metal (stainless steel);
- Customizable labels. (Chinese, English or multi-language customization)

Product Selection

Model	Cable Size	Application
 LE-K61 METAL	dia 4mm x length 1.8m, Metal cable	
LE-K61 INSULATED	dia 4mm x length 2.4m, Insulated cable	





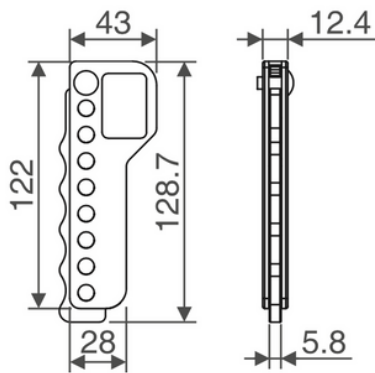
LOTO
EXPERTS



SIMPLE ALUMINIUM CABLE LOCKUP

DIAMETER 4 MM
LENGTH 1.5M
PAINTED RED

Painted red



Product Features

- The lock body is made of die-cast aluminum paint;
- It can be locked with 8 safety padlocks with shackle Dia. $\leq 7\text{mm}$;
- Colour: lacquered silver or lacquered red.

Product Selection

Model	Cable Size	Application
BD-AL61	dia 4mm x length 1.5m	





LOTO
EXPERTS



ADJUSTABLE CABLE LOCKUP

DIAMETER 4 MM
LENGTH 1.8M
METAL CABLE

Product Features

- Made from impact resistant engineering plastic PC, other colors can be customized.
- Used cable, the outer layer of cable is made from anti-UV PVC, the cable can be customized with different length and colors.
- Stronger cable, more secure locking, easy to open and lock, and more convenient to use.
- Permanently write labels (Chinese, English or other languages customized) to identify the operator.
- Locked with 4 padlocks, lock shackle Dia. is less than 7mm.

Product Selection

Model	Cable Size	Application
 LE-L11-4	dia 4mm x length 1.8m	
LE-L11-6	dia 6mm x length 1.8m	



CAUTION



LOTO
EXPERTS



ADJUSTABLE CABLE LOCKUP

DIAMETER 6 MM
LENGTH 1.8M
METAL CABLE

Product Features

- Made from impact resistant engineering plastic PC, other colors can be customized.
- Used cable, the outer layer of cable is made from anti-UV PVC, the cable can be customized with different length and colors.
- Stronger cable, more secure locking, easy to open and lock, and more convenient to use.
- Permanently write labels (Chinese, English or other languages customized) to identify the operator.
- Locked with 4 padlocks, lock shackle Dia. is less than 7mm.

Product Selection

Model	Cable Size	Application
LE-L11-4	dia 4mm x length 1.8m	
 LE-L11-6	dia 6mm x length 1.8m	



CAUTION



LOTO
EXPERTS

WHEEL TYPE CABLE LOCK

DIAMETER 4 MM

LENGTH 2 M

RED / YELLOW / GREEN




Cable length: 2.0m
Cable diameter: 4mm

Product Features

- Made from impact resistant engineering plastic nylon PC .
- Used stainless steel cable, the outer layer of cable is made from anti-UV PVC.
- Cable can be customized other colors. (Red,yellow,blue,green)
- The cable can be customized with different length and colors.
- Locked with several padlocks, lock shackle Dia. is less than 7mm.
- This cable lockout is an ideal device for locking cable device.

Product Selection

Model	Cable Size	Application
 LE-L31	dia 4mm x length 2m	

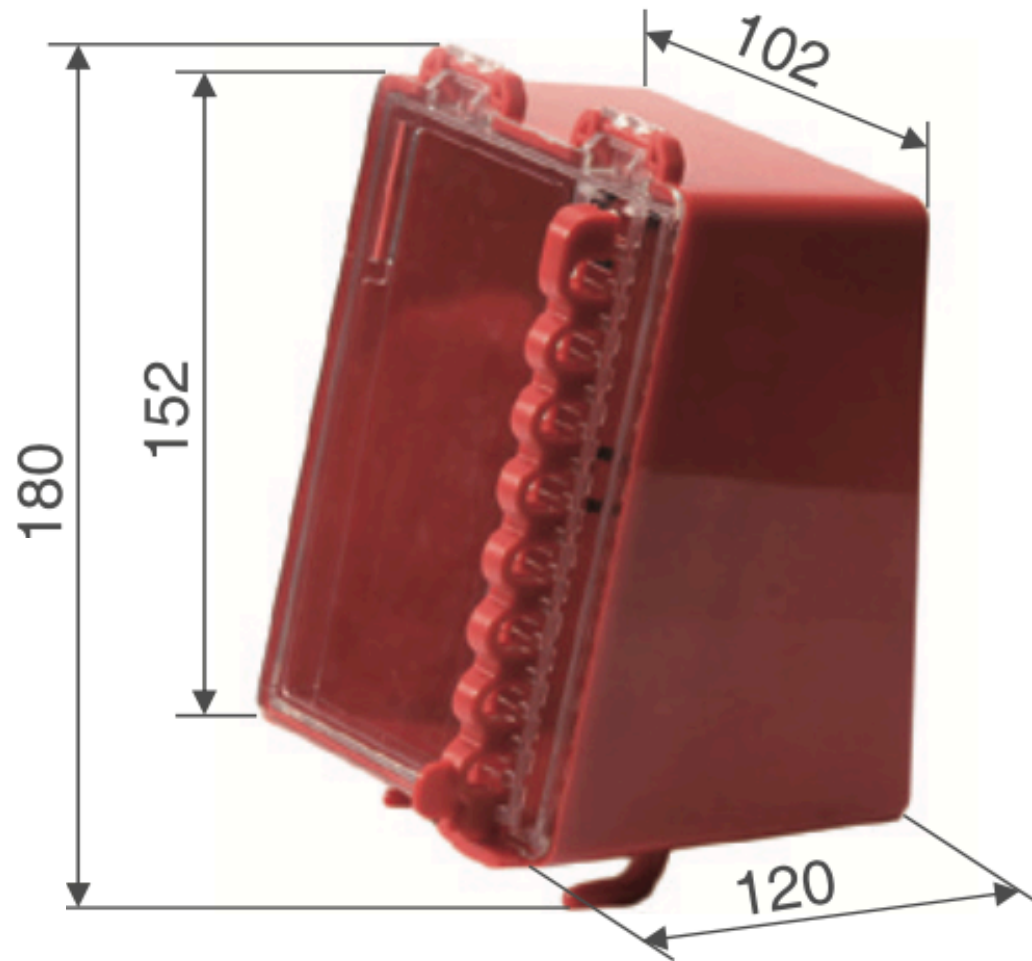


CAUTION



LOTO
EXPERTS

SMALL HANGING PLASTIC SAFETY LOCKOUT BOX




Lockout box when open.

Product Features

- Made of engineering plastic ABS and PC.
- With transparent cover.
- Can be locked by padlocks with shackle Dia. less than 7mm
- Can be locked by 8 safety padlocks at the same time, convenient for management.

Product Selection

Model	Description
 LE-X21	It has 6 hooks inside and 2 hooks outside.



CAUTION



LOTO
EXPERTS

PORTABLE KEY MANAGEMENT BOX LE-81



Description

208mm(W)x98mm(H)x99mm(D)

- Made of engineering ABS plastic and polycarbonate.
- Can hang 6 keys, with 2 key put-in holes at the top part.
- With 16 padlock holes, support 16 person to manage it at same time.





LOTO
EXPERTS

WALL MOUNTED FUNCTIONAL SAFETY LOCKOUT BOX



Product Features

- The high-strength steel plate is stamped and the surface is treated with high-temperature plastic spray, which is not easy to oxidize and rust.
- Several people can lock the important parts at the same time, can accommodate 12 padlocks.
- It has transparent acrylic visual door panel, realizing visual management.

Product Selection

Model	Description
 LE-X24	Can be used as mini portable lockout box; can accommodate several tags, hasps, mini lockouts etc.





LOTO
EXPERTS

WALL MOUNTED FUNCTIONAL SAFETY LOCKOUT BOX



Product Features

- The high-strength steel plate is stamped and the surface is treated with high-temperature plastic spray, which is not easy to oxidize and rust.
- Several people can lock the important parts at the same time, can accommodate 12 padlocks.
- It has transparent acrylic visual door panel, realizing visual management.

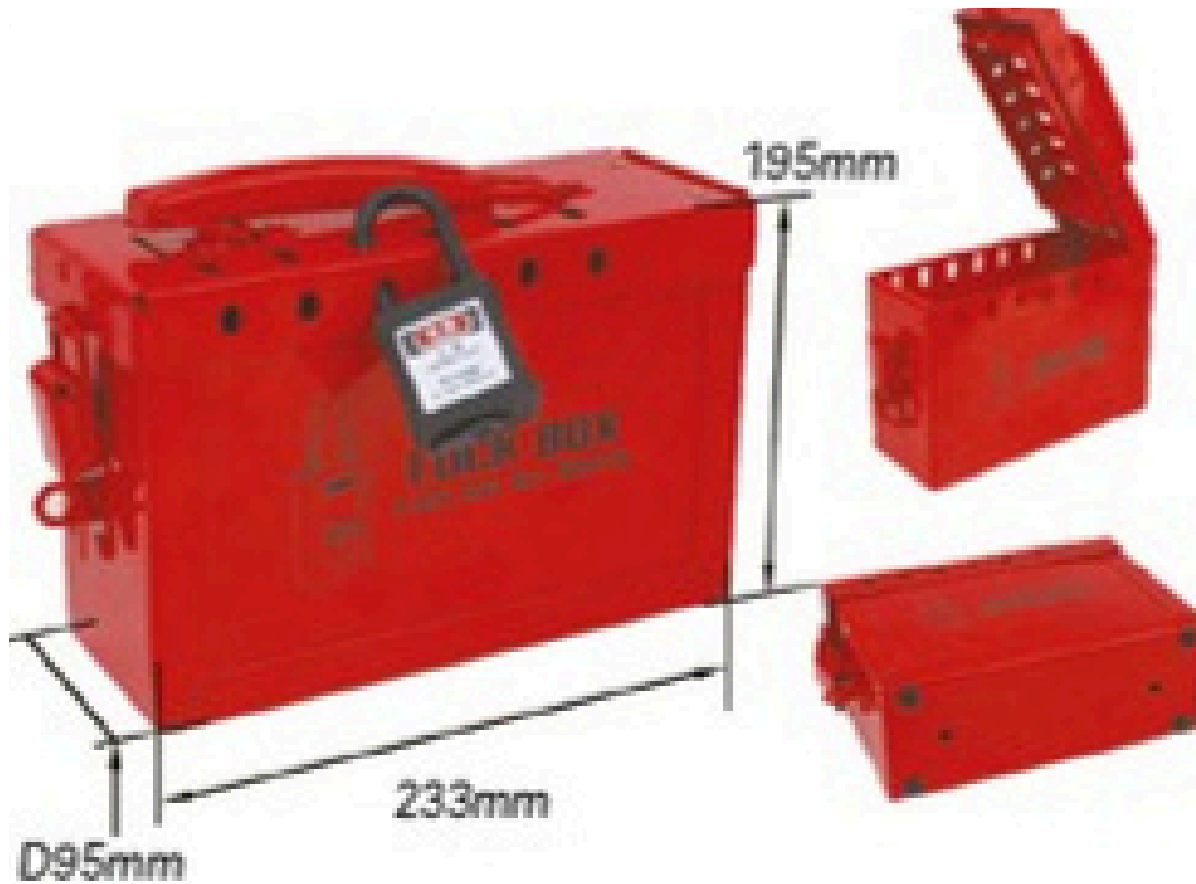
Product Selection

Model	Description
 LE-X24	Can be used as mini portable lockout box; can accommodate several tags, hasps, mini lockouts etc.





LOTO
EXPERTS



PORTABLE STEEL SAFETY LOCKOUT BOX

Product Features

- Made of steel plate with high-temperature plastic spraying treatment on the surface and stainless steel nylon handle
- Several people can lock the important parts at the same time, can accommodate 12 padlocks.
- Can be used as mini portable lockout box, can accommodate several tagouts, hasps, mini lockouts etc.

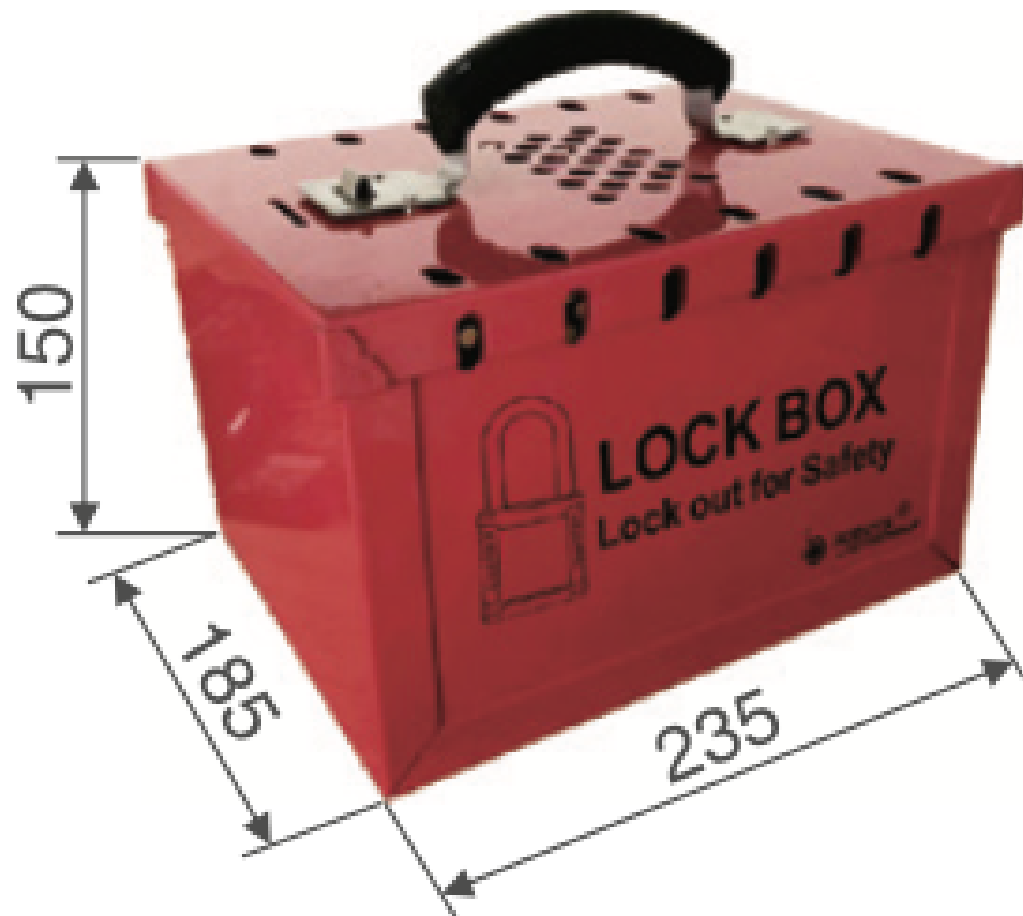
Product Selection

Model	Description
 LE-X02	Can be used as mini portable lockout box, can accommodate several tagouts, hasps, mini lockouts etc.





LOTO
EXPERTS



PORTABLE STEEL SAFETY LOCKOUT BOX

Product Features

- Made of steel plate with high-temperature plastic spraying treatment on the surface and stainless steel nylon handle.
- Several people can lock the important parts at the same time, can accommodate 12 padlocks.

Product Selection

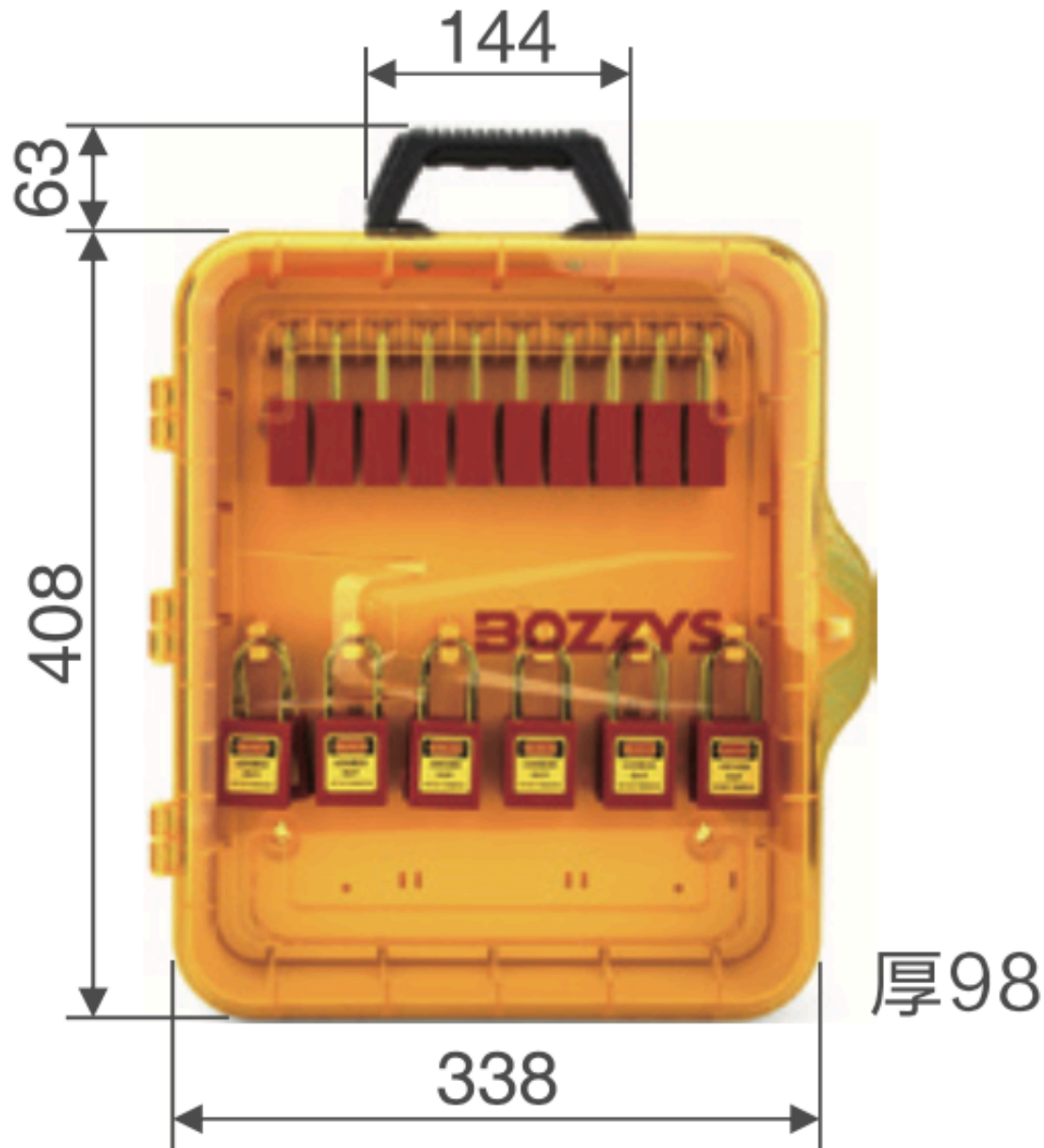
Model	Description
 LE-X04	Can be used as mini portable lockout box; can accommodate several tags, hasps, mini lockouts etc.



CAUTION



LOTO
EXPERTS



PORTABLE COMBINATION SAFETY LOCKOUT BOX

Product Selection

Model	Description
 LE-X23A	With 10 padlock positions and 6 hook positions, can accommodate several padlocks, hasps, mini lockouts etc.





LOTO
EXPERTS




LOCKOUT MANAGEMENT STATION

Product Features

- Made from surface high temperature spraying plastic treatment steel plate.
- Lockout management available.
- Can be customized opaque panels.

Product Selection

Model	Description
 LE-X08	30 hook positions, each of which can hang two padlocks or hasps




CAUTION



LOTO
EXPERTS



**SAFETY
COMBINATION
LOCKOUT
STATION**

➤ LE-B201 

Able to store 20 padlocks
6 hasps, several tagouts,
cable ties & mini lockouts & etc.

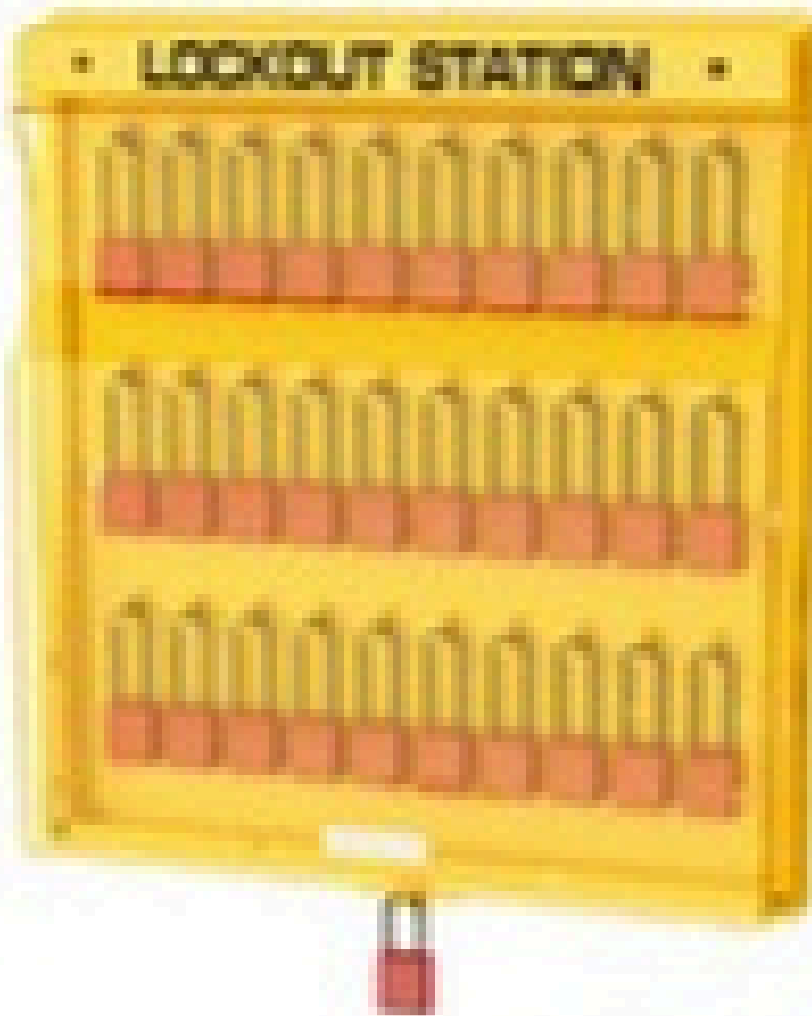
Dimension:

W650mm x H590mm x D95mm





LOTO
EXPERTS



**SAFETY
COMBINATION**
**LOCKOUT
STATION**



LE-B202 

Able to store 30 padlocks, several hasps, several tagouts, cable ties, mini lockouts & etc

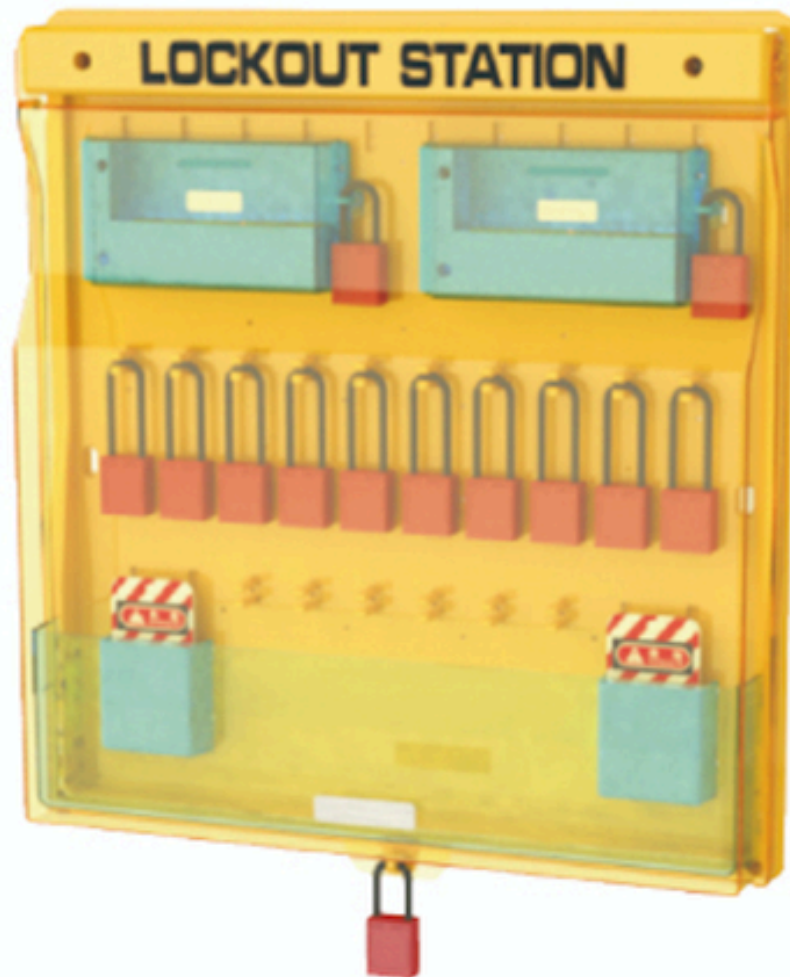
Dimension :

W650mm x H590mm x D95mm





LOTO
EXPERTS



**SAFETY
COMBINATION
LOCKOUT
STATION**



LE-B203 

Able to store 10 padlocks, 2 mobile phone boxes, 6 hasps, several tagouts, cable ties, mini lockouts & etc.

Dimension :

W650mm x H590mm x D95mm





LOTO
EXPERTS

FEATURES:

- Made from strong PC plastic.
- Has dedicated slots for cable ties, hasps and tags.
- Durable transparent cover.
- Can be lock with padlock.

**INTEGRATED
LOCKOUT
STATION**

LE-B103



LE-B103 : With 8 padlocks positions, each position can accommodate 2 padlocks, or various of padlocks, several tagouts, cable ties & etc.

Dimension : H396 x W574mm x D108mm.





LOTO
EXPERTS

SAFE-D-LOCK V-GB13 METAL GROUP LOCKOUT BOX

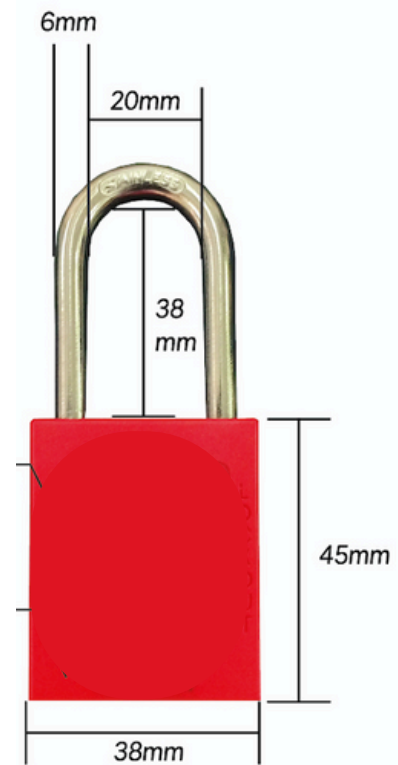




LOTO
EXPERTS

MOQ - 1 unit

STAINLESS STEEL SAFETY PADLOCK



RED



YELLOW



BLUE



GREEN



BLACK



WHITE



ORANGE



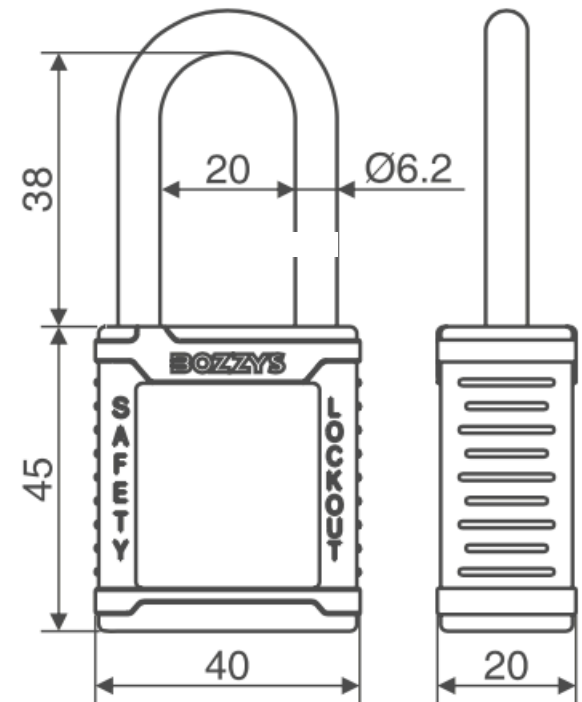
PURPLE





LOTO
EXPERTS

NYLON SHACKLE SAFETY PADLOCK



BD-G01/G11



RED



YELLOW



BLUE



GREEN



BLACK



WHITE



ORANGE



PURPLE



CAUTION



LOTO
EXPERTS

DUSTPROOF LAMINATED SAFETY PADLOCK

Product Description

Product code: LPC01/LPC02

Body size: 48mm*41mm

Shackle size: 1)28mm*7.3mm;2)43mm*7.3mm

Lock body: Hardened laminated steel

Lock shackle: Hardened laminated steel

Color available: All different colors available

